

Explosion-Proof Motor Starter Series



● **XNAS Series.....pgs. 132-134**
Non-Reversing Starters



● **XRAS Series.....pgs. 135-137**
Reversing Starters



● **XNTC/XNMC Series...pgs. 138-142**
Non-Reversing - COMBINATION
Thermal Magnetic / Magnetic Only Starters



● **XRTC/XRMC Series.....pgs. 143-146**
Reversing - COMBINATION
Thermal Magnetic / Magnetic Only Starters

X
P
M
O
T
O
R
S
T



Explosion-Proof Motor Starter Series



“Call Akron Electric for all of your Motor Starter needs. You can trust us to provide a great product with a lead time that challenges the entire industry.”

Features:

- External Machined Flange Joint Design
- Integral Cast Mounting Feet
- Captive Quick Thread Cover Bolts (“-E3”) (Optional)
- Stainless Steel Operating Shaft for Corrosion Resistance
- Breaker Operating Mechanism can be locked in “ON” or “OFF” position
- Operating Handle does not interfere with tripping of breaker
- Ample Wiring Space for Wire Bending
- For Non-Fused & Fused Disconnect Combinations, (C/F)
- Available Space for CPT, Terminal Blocks & Relays
- Aluminum Mounting Pans are predrilled for specified Starter (C/F)
- Breakers/Starters available: ABB, Cutler-Hammer (C/F for other brands)
- Enclosures available with or without breakers / starters
- Standard Outlets are Determined by Motor Starter Size
- Additional 3/4” NPT Outlet for Remote Control Wiring
- (3) Plugged NPSM Openings in Cover for Lights/Switches (Unless otherwise specified)
- Plugged 1/2” NPT Outlets in top & bottom for Breather & Drain (Std.)
- Line and load outlets standard
- Stainless Steel Shot or Sandblasted natural finish
- Consult Factory for Single Phase - Two Pole Starters

Materials:

- Body & Cover: Copper-Free Cast Aluminum (less than 0.25% copper content)
- Cover Bolts: Stainless Steel Cover Bolts (“-N5”) (Standard)
- Cast-Aluminum or S.S. Hinges with Stainless Steel Hardware (Standard)
- Hinges: Cast-Aluminum with Stainless Steel Hardware (Standard)
- NEMA 4 O-Ring: Buna-N (Standard)
- Breather / Drain (BD): Universal Breather or Drain (Optional)
- Specify 2BD for Breather & Drain



Certificate
Number
03.059.1

**ISO
9001 With Design**

Approvals:

Classified by Underwriters Laboratories, Inc. as to Explosion and Fire Hazard Only. Enclosure for use in:

- Class I, Groups B, C & D
- Class II, Groups E, F & G
- Type 4X

Compliances:

- CL. I, Div. 1 & 2 Groups B, C & D
- CL. II, Div. 1 & 2 Groups E, F & G
- CL. III, NEMA 3, 4X, 7 & 9

ATEX Certification: (Optional)

If ATEX Certification is required, **Consult Factory.**

Certain Features are added to the Motor Starter Series if ATEX is required:

- Metric Cover Bolts
- External Ground Screw
- If NEMA 4 O-ring is required, IP 66 Rating Applies

Explosion-Proof Motor Starter Series

FULL VOLTAGE NON-REVERSING MOTOR STARTERS



CATALOG NUMBER INFORMATION

Catalog Number : XNAS0-24_003 *- #

(X) Explosion-Proof Enclosure

(N) Non-reversing Starter

(AS) Across The Line Starter

(0) NEMA Size

(24) 240 Voltage Rating

(24) = 230/240 (48) = 460/480 (60) = 575/600 (38) = 380 V, 50 Hz

(003) Horsepower Rating

(*) Symbol For Starter Brand - A = ABB, C = Cutler Hammer

Note: Consult Factory for other brands

(#) See Modification Page for Additional Items

Note: When enclosure only is ordered, please provide part number & brand of Starter



Explosion-Proof Motor Starter Series

FULL VOLTAGE NON-REVERSING MOTOR STARTERS

230 / 240 VOLT - 60 Hz - 3 Phase

NEMA SIZE	MAX H.P.	CATALOG NO.	CONDUIT STD. SIZE	CONDUIT MAX. SIZE	SHIPPING WT. (EST.)	ENCLOSURE SIZE
0	3	XNAS0-24003*	1	1-1/2	45	A
1	7-1/2	XNAS1-24007*	1	1-1/2	45	A
2	15	XNAS2-24015*	1-1/4	1-1/2	63	B
3	30	XNAS3-24030*	1-1/2	2	145	C
4	50	XNAS4-24050*	3	3	155	D
5	100	XNAS5-24100*	3	3	265	E

380 VOLT - 50 Hz - 3 Phase

NEMA SIZE	MAX H.P.	CATALOG NO.	CONDUIT STD. SIZE	CONDUIT MAX. SIZE	SHIPPING WT. (EST.)	ENCLOSURE SIZE
0	5	XNAS0-38005*	1	1-1/2	45	A
1	10	XNAS1-38010*	1	1-1/2	45	A
2	25	XNAS2-38025*	1-1/4	1-1/2	63	B
3	50	XNAS3-38050*	1-1/2	2	145	C
4	75	XNAS4-38075*	3	3	155	D
5	150	XNAS5-38150*	3	3	265	E

460 / 480 VOLT - 60 Hz - 3 Phase

NEMA SIZE	MAX H.P.	CATALOG NO.	CONDUIT STD. SIZE	CONDUIT MAX. SIZE	SHIPPING WT. (EST.)	ENCLOSURE SIZE
0	5	XNAS0-48005*	1	1-1/2	45	A
1	10	XNAS1-48010*	1	1-1/2	45	A
2	25	XNAS2-48025*	1-1/4	1-1/2	63	B
3	50	XNAS3-48050*	1-1/2	2	145	C
4	100	XNAS4-48100*	3	3	155	D
5	200	XNAS5-48200*	3	3	265	E

575 / 600 VOLT - 60 Hz - 3 Phase

NEMA SIZE	MAX H.P.	CATALOG NO.	CONDUIT STD. SIZE	CONDUIT MAX. SIZE	SHIPPING WT. (EST.)	ENCLOSURE SIZE
0	5	XNAS0-60005*	1	1-1/2	45	A
1	10	XNAS1-60010*	1	1-1/2	45	A
2	25	XNAS2-60025*	1-1/4	1-1/2	63	B
3	50	XNAS3-60050*	1-1/2	2	145	C
4	100	XNAS4-60100*	3	3	155	D
5	200	XNAS5-60200*	3	3	265	E

Explosion-Proof Motor Starter Series

FULL VOLTAGE NON-REVERSING MOTOR STARTERS

ENCLOSURE ONLY ORDERING INFORMATION

To Order the Enclosure **ONLY** (Without Starter):

Use the enclosure **Catalog Number** in the chart below and insert a suffix (A=ABB, C=Cutler-Hammer, C/F for others) for the Starter Mfg.

Example: Part Number = **XNAS0-A**
(Full Voltage Non-Reversing Motor Starter; Size 0; machined for ABB Starter)
ENCLOSURE ONLY with all standard features

DIMENSIONAL INFORMATION

ENCLOSURE CAT NO.	ENCL.	INSIDE DIMS.	A	B	C	D	E	F	G	H	J	K	L	WT.
XNAS0-*	A	8 x 10 x 4	12.50	14.50	6.56	12.00	6.50	10.75	3/8	2.50	2.50	12.81	8.31	41**
XNAS1-*	A	8 x 10 x 4	12.50	14.50	6.56	12.00	6.50	10.75	3/8	2.50	2.50	12.81	8.31	41
XNAS2-*	B	10 x 10 x 6	14.50	14.50	8.75	14.00	6.50	13.00	3/8	3.50	3.50	14.81	10.50	55
XNAS3-*	C	12 x 18 x 6	14.50	23.00	9.50	18.00	14.13	15.75	1/2	3.63	4.00	17.81	11.25	125
XNAS4-*	D	12 x 18 x 8	17.00	23.00	11.50	18.00	14.13	15.75	1/2	4.63	4.00	17.81	13.25	135
XNAS5-*	E	16 x 24 x 8	21.13	29.13	11.88	23.00	18.38	19.75	5/8	4.63	6.00	21.94	13.63	210

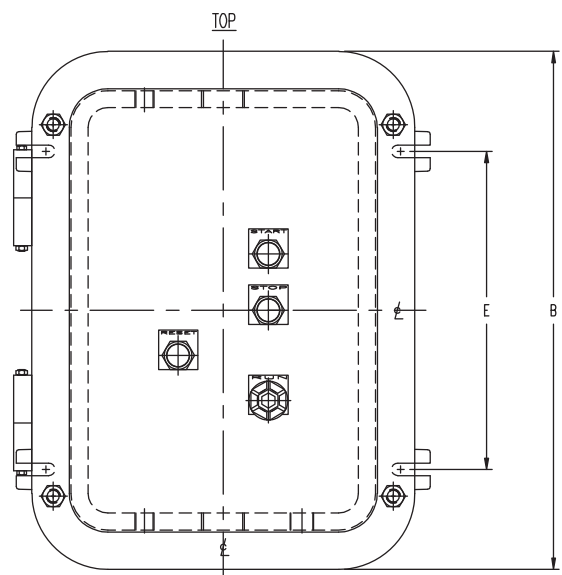
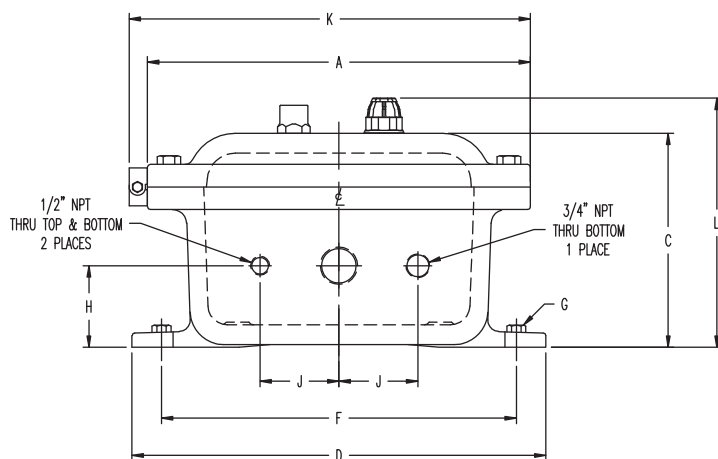
The Enclosure Weight is without transformer

G: Standard Mounting Bolt Diameter

WT: Approximate Shipping Weight (lb.) without skid / pallet

****Note:** Only if no transformer

Note: Alternate sizes available, consult factory



X
P
M
O
T
O
R
S
T

Note: See chart on previous page for Std. / Max. Conduit Size



Explosion-Proof Motor Starter Series

FULL VOLTAGE REVERSING MOTOR STARTERS



CATALOG NUMBER INFORMATION

Catalog Number : XRAS0-24 003 *- #

(X) Explosion-Proof Enclosure

(R) Reversing Starter

(AS) Across The Line Starter

(0) NEMA Size

(24) 240 Voltage Rating

(24) = 230/240 (48) = 460/480 (60) = 575/600 (38) = 380 V, 50 Hz

(003) Horsepower Rating

(*) Symbol For Starter Brand - A = ABB, C = Cutler Hammer

Note: Consult factory for other brands

(#) See Modification Page for Additional Items

Note: When enclosure only is ordered, please provide part number & brand of Starter

X
P
M
O
T
O
R
S
T

Explosion-Proof Motor Starter Series

FULL VOLTAGE REVERSING MOTOR STARTERS

230 / 240 VOLT - 60 Hz - 3 Phase

NEMA SIZE	MAX H.P.	CATALOG NO.	CONDUIT STD. SIZE	CONDUIT MAX. SIZE	SHIPPING WT. (EST.)	ENCLOSURE SIZE
0	3	XRAS0-24003*	1	1-1/2	75	A
1	7-1/2	XRAS1-24007*	1	1-1/2	75	A
2	15	XRAS2-24015*	1-1/4	1-1/2	145	B
3	30	XRAS3-24030*	1-1/2	2	265	C
4	50	XRAS4-24050*	3	3	280	D
5	100	XRAS5-24100*	3	3	400	E

460 / 480 VOLT - 60 Hz - 3 Phase

NEMA SIZE	MAX H.P.	CATALOG NO.	CONDUIT STD. SIZE	CONDUIT MAX. SIZE	SHIPPING WT. (EST.)	ENCLOSURE SIZE
0	5	XRAS0-48005*	1	1-1/2	75	A
1	10	XRAS1-48010*	1	1-1/2	75	A
2	25	XRAS2-48025*	1-1/4	1-1/2	145	B
3	50	XRAS3-48050*	1-1/2	2	265	C
4	100	XRAS4-48100*	3	3	280	D
5	200	XRAS5-48200*	3	3	400	E

575 / 600 VOLT - 60 Hz - 3 Phase

NEMA SIZE	MAX H.P.	CATALOG NO.	CONDUIT STD. SIZE	CONDUIT MAX. SIZE	SHIPPING WT. (EST.)	ENCLOSURE SIZE
0	5	XRAS0-60005*	1	1-1/2	75	A
1	10	XRAS1-60010*	1	1-1/2	75	A
2	25	XRAS2-60025*	1-1/4	1-1/2	145	B
3	50	XRAS3-60050*	1-1/2	2	265	C
4	100	XRAS4-60100*	3	3	280	D
5	200	XRAS5-60200*	3	3	400	E



Explosion-Proof Motor Starter Series

FULL VOLTAGE REVERSING MOTOR STARTERS

ENCLOSURE ONLY ORDERING INFORMATION

To Order the Enclosure **ONLY** (Without Starter):

Use the enclosure **Catalog Number** in the chart below and insert a suffix (A=ABB, C=Cutler-Hammer, C/F for others) for the Starter Mfg.

Example: Part Number = **XRAS0-A**
 (Full Voltage Reversing Motor Starter; Size 0; machined for ABB Starter)
 ENCLOSURE ONLY with all standard features

DIMENSIONAL INFORMATION

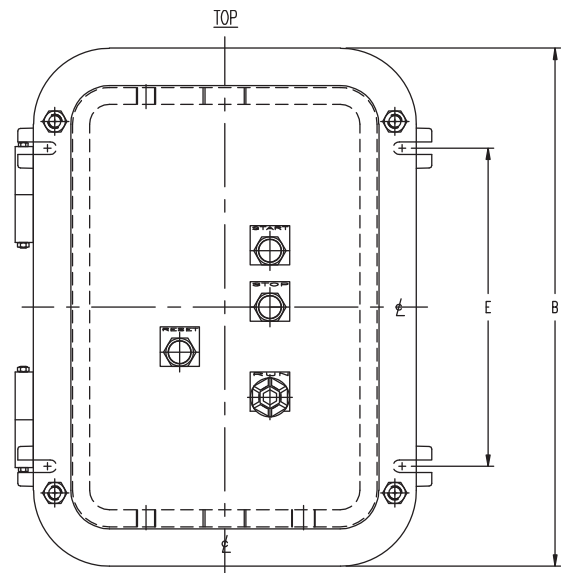
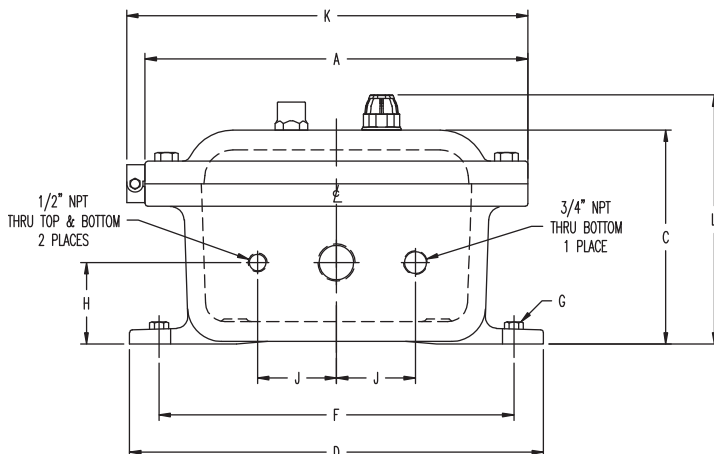
ENCLOSURE CAT NO.	ENCL. DIMS.	INSIDE DIMS.	A	B	C	D	E	F	G	H	J	K	L	WT.
XRAS0-*	A	10 x 14 x 4	14.50	18.50	7.50	14.00	10.63	13.00	3/8	2.63	3.00	14.81	9.25	65
XRAS1-*	A	10 x 14 x 4	14.50	18.50	7.50	14.00	10.63	13.00	3/8	2.63	3.00	14.81	9.25	65
XRAS2-*	B	12 x 18 x 6	17.00	23.00	9.50	18.00	14.13	15.75	1/2	3.63	4.00	17.81	11.25	125
XRAS3-*	C	18 x 24 x 6	23.13	29.13	9.88	25.00	18.38	21.75	5/8	3.75	7.00	23.94	11.63	210
XRAS4-*	D	18 x 24 x 8	23.13	29.13	11.88	25.00	18.38	21.75	5/8	4.75	7.00	23.94	13.63	225
XRAS5-*	E	18 x 30 x 8	23.13	35.13	11.88	25.00	23.00	21.75	5/8	4.75	7.00	23.94	13.63	280

The Enclosure Weight is without transformer

G: Standard Mounting Bolt Diameter

WT: Approximate Shipping Weight (lb.) without skid / pallet

Note: Alternate sizes available, consult factory



Note: See chart on previous page for Std. / Max. Conduit Size

Explosion-Proof Motor Starter Series

COMBINATION FULL VOLTAGE NON-REVERSING MOTOR STARTERS



CATALOG NUMBER INFORMATION

Catalog Number : XNTC0-24 002 015 *- #

(X) Explosion-Proof Enclosure

(N) Non-Reversing Starter

(T) Thermal Magnetic Breaker
Magnetic Only (MCP) (M)

(C) Combination

(0) NEMA Size

(24) 240 Voltage Rating

(24) = 230/240 (48) = 460/480 (60) = 575/600 (38) = 380 V, 50 Hz

(002) Horsepower Rating

(015) Circuit Breaker AMP Rating

(*) Symbol For Starter Brand - A = ABB, C = Cutler Hammer

Note: Consult factory for other brands

(#) See Modification Page for Additional Items

Note: When enclosure only is ordered, please provide part number & brand of Starter

X
P
M
O
T
O
R
S
T



Explosion-Proof Motor Starter Series

COMBINATION FULL VOLTAGE NON-REVERSING MOTOR STARTERS WITH THERMAL-MAGNETIC CIRCUIT BREAKER

230 / 240 VOLT - 60 Hz - 3 Phase

NEMA SIZE	MAX H.P.	BREAKER AMPS	CATALOG NO.	CONDUIT STD. SIZE	CONDUIT MAX. SIZE	SHIPPING WT. (EST.)	ENCLOSURE SIZE
0	2	15	XNTC0-24002015*	1	1-1/2	85	A
0	3	20	XNTC0-24003020*	1	1-1/2	85	A
1	5	40	XNTC1-24005040*	1	1-1/2	85	A
1	7-1/2	50	XNTC1-24007050*	1	1-1/2	85	A
2	10	50	XNTC2-24010050*	1-1/4	1-1/2	147	B
2	15	100	XNTC2-24015100*	1-1/4	1-1/2	147	B
3	20	100	XNTC3-24020100*	1-1/2	2	182	C
3	30	125	XNTC3-24030125*	2	2	182	C
4	40	175	XNTC4-24040175*	2	2	225	D
4	50	200	XNTC4-24050200*	3	3	225	D
5	60	250	XNTC5-24060250*	3	3	465	E
5	75	300	XNTC5-24075300*	3	3	465	E
5	100	400	XNTC5-24100400*	3	3	400	E

380 VOLT - 50 Hz - 3 Phase

NEMA SIZE	MAX H.P.	BREAKER AMPS	CATALOG NO.	CONDUIT STD. SIZE	CONDUIT MAX. SIZE	SHIPPING WT. (EST.)	ENCLOSURE SIZE
0	3	15	XNTC0-38003015*	1	1-1/2	85	A
0	5	20	XNTC0-38005020*	1	1-1/2	85	A
1	10	35	XNTC1-38010035*	1	1-1/2	85	A
2	20	50	XNTC2-38020050*	1-1/4	1-1/2	147	B
2	25	70	XNTC2-38025070*	1-1/4	1-1/2	147	B
3	50	100	XNTC3-38050100*	1-1/2	2	182	C
4	60	125	XNTC4-38060125*	2	2	225	D
4	75	150	XNTC4-38075150*	2	2	225	D
5	125	250	XNTC5-38125250*	3	3	465	E
5	150	300	XNTC5-38150300*	3	3	465	E

X
P
M
O
T
O
R
S
T

Explosion-Proof Motor Starter Series

COMBINATION FULL VOLTAGE NON-REVERSING MOTOR STARTERS WITH THERMAL-MAGNETIC CIRCUIT BREAKER

460 / 480 VOLT - 60 Hz - 3 Phase

NEMA SIZE	MAX H.P.	BREAKER AMPS	CATALOG NO.	CONDUIT STD. SIZE	CONDUIT MAX. SIZE	SHIPPING WT. (EST.)	ENCLOSURE SIZE
0	3	15	XNTC0-48003015*	1	1-1/2	85	A
0	5	20	XNTC0-48005020*	1	1-1/2	85	A
1	7-1/2	30	XNTC1-48007030*	1	1-1/2	85	A
1	10	35	XNTC1-48010035*	1	1-1/2	85	A
2	20	50	XNTC2-48020050*	1-1/4	1-1/2	147	B
2	25	70	XNTC2-48025070*	1-1/4	1-1/2	147	B
3	50	100	XNTC3-48050100*	1-1/2	2	182	C
4	60	125	XNTC4-48060125*	2	2	225	D
4	75	150	XNTC4-48075150*	2	2	225	D
4	100	200	XNTC4-48100200*	3	3	225	D
5	125	250	XNTC5-48125250*	3	3	465	E
5	150	300	XNTC5-48150300*	3	3	465	E
5	200	400	XNTC5-48200400*	3	3	465	E

575 / 600 VOLT - 60 Hz - 3 Phase

NEMA SIZE	MAX H.P.	BREAKER AMPS	CATALOG NO.	CONDUIT STD. SIZE	CONDUIT MAX. SIZE	SHIPPING WT. (EST.)	ENCLOSURE SIZE
0	5	15	XNTC0-60005015*	1	1-1/2	85	A
1	7-1/2	20	XNTC1-60007020*	1	1-1/2	85	A
1	10	30	XNTC1-60010030*	1	1-1/2	85	A
2	15	40	XNTC2-60015040*	1-1/4	1-1/2	147	B
2	25	50	XNTC2-60025050*	1-1/4	1-1/2	147	B
3	30	70	XNTC3-60030070*	1-1/2	2	182	C
3	50	100	XNTC3-60050100*	1-1/2	2	182	C
4	75	125	XNTC4-60075125*	2	2	225	D
4	100	150	XNTC4-60100150*	3	3	225	D
5	150	250	XNTC5-60150250*	3	3	465	E
5	200	300	XNTC5-60200300*	3	3	465	E

X
P
M
O
T
O
R
S
T



Explosion-Proof Motor Starter Series

COMBINATION FULL VOLTAGE NON-REVERSING MOTOR STARTERS WITH MAGNETIC ONLY (MCP) CIRCUIT BREAKER

230 / 240 VOLT - 60 Hz - 3 Phase

NEMA SIZE	MAX H.P.	BREAKER AMPS	CATALOG NO.	CONDUIT STD. SIZE	CONDUIT MAX. SIZE	SHIPPING WT. (EST.)	ENCLOSURE SIZE
0	1	7	XNMC0-24001007*	1	1-1/2	85	A
0	3	15	XNMC0-24003015*	1	1-1/2	85	A
1	7-1/2	30	XNMC1-24007030*	1	1-1/2	85	A
2	15	50	XNMC2-24015050*	1-1/4	1-1/2	147	B
3	30	100	XNMC3-24030100*	1-1/2	2	182	C
4	50	150	XNMC4-24050150*	3	3	225	D
5	100	400	XNMC5-24100400*	3	3	465	E

460 / 480 VOLT - 60 Hz - 3 Phase

NEMA SIZE	MAX H.P.	BREAKER AMPS	CATALOG NO.	CONDUIT STD. SIZE	CONDUIT MAX. SIZE	SHIPPING WT. (EST.)	ENCLOSURE SIZE
0	1	3	XNMC0-48001003*	1	1-1/2	85	A
0	3	7	XNMC0-48003007*	1	1-1/2	85	A
0	5	15	XNMC0-48005015*	1	1-1/2	85	A
1	7-1/2	15	XNMC1-48007015*	1	1-1/2	85	A
1	10	30	XNMC1-48010030*	1	1-1/2	85	A
2	15	30	XNMC2-48015030*	1-1/4	1-1/2	147	B
2	25	50	XNMC2-48025050*	1-1/4	1-1/2	147	B
3	30	50	XNMC3-48030050*	1-1/2	2	182	C
3	50	100	XNMC3-48050100*	1-1/2	2	182	C
4	100	150	XNMC4-48100150*	2	2	225	D
5	200	400	XNMC5-48200400*	3	3	465	E

575 / 600 VOLT - 60 Hz - 3 Phase

NEMA SIZE	MAX H.P.	BREAKER AMPS	CATALOG NO.	CONDUIT STD. SIZE	CONDUIT MAX. SIZE	SHIPPING WT. (EST.)	ENCLOSURE SIZE
0	1	3	XNMC0-60001003*	1	1-1/2	85	A
0	3	7	XNMC0-60003007*	1	1-1/2	85	A
0	5	15	XNMC0-60005015*	1	1-1/2	85	A
1	7-1/2	15	XNMC1-60007015*	1	1-1/2	85	A
1	10	30	XNMC1-60010030*	1	1-1/2	85	A
2	20	30	XNMC2-60020030*	1-1/4	1-1/2	147	B
2	25	50	XNMC2-60025050*	1-1/4	1-1/2	147	B
3	40	50	XNMC3-60040050*	1-1/2	2	182	C
3	50	100	XNMC3-60050100*	1-1/2	2	182	C
4	60	100	XNMC4-60060100*	2	2	225	D
4	100	150	XNMC4-60100150*	3	3	225	D
5	125	400	XNMC5-60125400*	3	3	465	E
5	200	400	XNMC5-60200400*	3	3	465	E

1025 Eagon Street Barberton, Ohio 44203 Ph: 330-745-8891 Fax: 330-745-2504
www.AkronElectric.Com E-Mail: Sales@AkronElectric.Com

Explosion-Proof Motor Starter Series

COMBINATION FULL VOLTAGE NON-REVERSING MOTOR STARTERS

ENCLOSURE ONLY ORDERING INFORMATION

To Order the Enclosure **ONLY** (Without Starter):

Use the enclosure **Catalog Number** in the chart below and insert a suffix (A=ABB, C=Cutler-Hammer, C/F for others) for the Starter Mfg.

Example: Part Number = **XNMC0-A**

(Full Voltage Non-Reversing Combination Motor Starter; Size 0; machined for ABB Starter)

ENCLOSURE ONLY with all standard features

DIMENSIONAL INFORMATION - COMBO FULL VOLTAGE NON-REVERSING STARTERS WITH THERMAL-MAGNETIC CIRCUIT BREAKER

ENCLOSURE CAT NO.	ENCL.	INSIDE DIMS.	A	B	C	D	E	F	G	H	J	K	L	WT.
XNTC0-*	A	10 x 14 x 6	14.50	18.50	9.50	14.00	10.63	13.00	3/8	3.63	3.00	14.81	11.25	72
XNTC1-*	A	10 x 14 x 6	14.50	18.50	9.50	14.00	10.63	13.00	3/8	3.63	3.00	14.81	11.25	72
XNTC2-*	B	12 x 18 x 6	17.00	23.00	9.50	18.00	14.13	15.75	1/2	3.63	4.00	17.81	11.25	125
XNTC3-*	C	12 x 24 x 6	17.13	29.13	9.63	18.00	18.75	15.75	1/2	3.75	4.00	17.94	11.38	152
XNTC4-*	D	12 x 30 x 6	17.00	35.00	9.63	18.00	23.00	15.75	1/2	3.75	4.00	17.81	11.38	185
XNTC5-*	E	16 x 46 x 10	21.13	51.13	13.75	23.00	39.00	19.75	5/8	6.00	5.00	21.94	15.50	385

DIMENSIONAL INFORMATION - COMBO FULL VOLTAGE NON-REVERSING STARTERS WITH MAGNETIC ONLY CIRCUIT BREAKER (MCP)

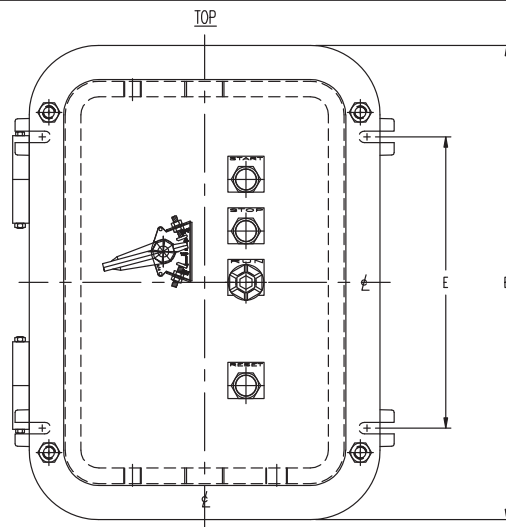
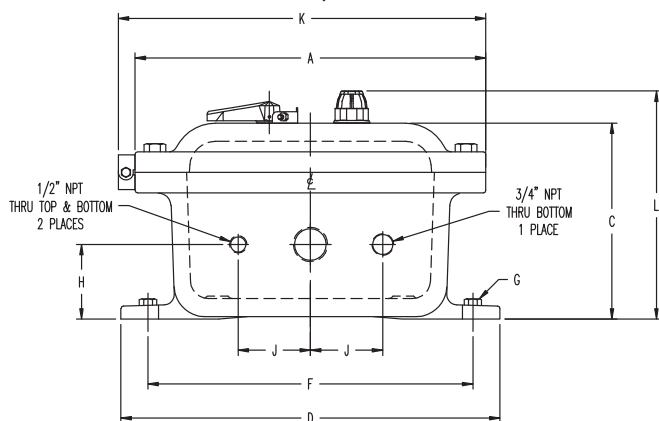
ENCLOSURE CAT NO.	ENCL.	INSIDE DIMS.	A	B	C	D	E	F	G	H	J	K	L	WT.
XNMC0-*	A	10 x 14 x 6	14.50	18.50	9.50	14.00	10.63	13.00	3/8	3.63	3.00	14.81	11.25	72
XNMC1-*	A	10 x 14 x 6	14.50	18.50	9.50	14.00	10.63	13.00	3/8	3.63	3.00	14.81	11.25	72
XNMC2-*	B	12 x 18 x 6	17.00	23.00	9.50	18.00	14.13	15.75	1/2	3.63	4.00	17.81	11.25	125
XNMC3-*	C	12 x 24 x 6	17.13	29.13	9.63	18.00	18.75	15.75	1/2	3.75	4.00	17.94	11.38	152
XNMC4-*	D	12 x 30 x 6	17.00	35.00	9.63	18.00	23.00	15.75	1/2	3.75	4.00	17.81	11.38	185
XNMC5-*	E	16 x 46 x 10	21.13	51.13	13.75	23.00	39.00	19.75	5/8	6.00	5.00	21.94	15.50	385

The Enclosure Weight is without transformer

G: Standard Mounting Bolt Diameter

WT: Approximate Shipping Weight (lb.) without skid / pallet

Note: Alternate sizes available, consult factory



Note: See chart on previous page(s) for Std. / Max. Conduit Size



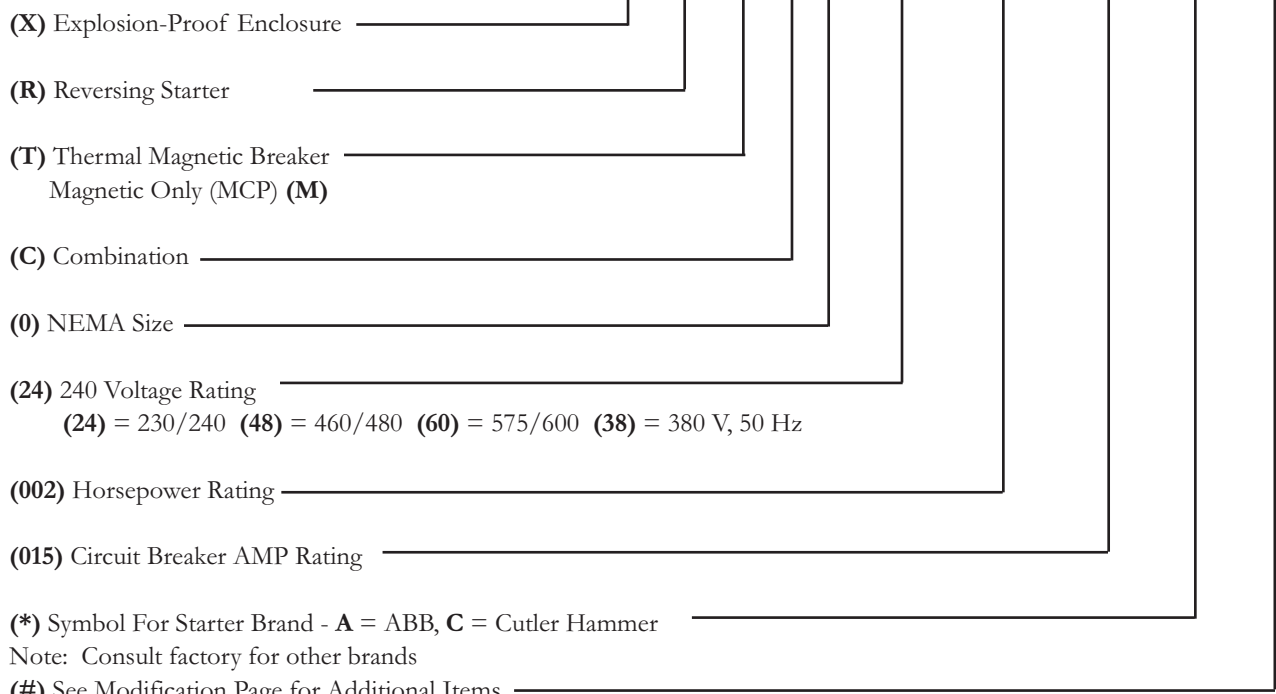
Explosion-Proof Motor Starter Series

COMBINATION FULL VOLTAGE REVERSING MOTOR STARTERS



CATALOG NUMBER INFORMATION

Catalog Number : XRTC0- 24 002 015 *- #



Note: Consult factory for other brands

Note: When enclosure only is ordered, please provide part number & brand of Starter

1025 Eagon Street Barberton, Ohio 44203 Ph: 330-745-8891 Fax: 330-745-2504
www.AkronElectric.Com E-Mail: Sales@AkronElectric.Com

X
P
M
O
T
O
R
S
T

Explosion-Proof Motor Starter Series

COMBINATION FULL VOLTAGE REVERSING MOTOR STARTERS WITH THERMAL-MAGNETIC CIRCUIT BREAKER

230 / 240 VOLT - 60 Hz - 3 Phase

NEMA SIZE	MAX H.P.	BREAKER AMPS	CATALOG NO.	CONDUIT STD. SIZE	CONDUIT MAX. SIZE	SHIPPING WT. (EST.)	ENCLOSURE SIZE
0	2	15	XRTC0-24002015*	1	1-1/2	85	A
0	3	20	XRTC0-24003020*	1	1-1/2	85	A
1	5	40	XRTC1-24005040*	1	1-1/2	85	A
1	7-1/2	50	XRTC1-24007050*	1	1-1/2	85	A
2	10	50	XRTC2-24010050*	1-1/4	1-1/2	147	B
2	15	100	XRTC2-24015100*	1-1/4	1-1/2	147	B
3	20	100	XRTC3-24020100*	1-1/2	2	182	C
3	30	125	XRTC3-24030125*	2	2	182	C
4	40	175	XRTC4-24040175*	2	2	225	D
4	50	200	XRTC4-24050200*	3	3	225	D
5	60	250	XRTC5-24060250*	3	3	465	E
5	75	300	XRTC5-24075300*	3	3	465	E
5	100	400	XRTC5-24100400*	3	3	400	E

460 / 480 VOLT - 60 Hz - 3 Phase

NEMA SIZE	MAX H.P.	BREAKER AMPS	CATALOG NO.	CONDUIT STD. SIZE	CONDUIT MAX. SIZE	SHIPPING WT. (EST.)	ENCLOSURE SIZE
0	3	15	XRTC0-48003015*	1	1-1/2	85	A
0	5	20	XRTC0-48005020*	1	1-1/2	85	A
1	7-1/2	30	XRTC1-48007030*	1	1-1/2	85	A
1	10	35	XRTC1-48010035*	1	1-1/2	85	A
2	20	50	XRTC2-48020050*	1-1/4	1-1/2	147	B
2	25	70	XRTC2-48025070*	1-1/4	1-1/2	147	B
3	50	100	XRTC3-48050100*	1-1/2	2	182	C
4	60	125	XRTC4-48060125*	2	2	225	D
4	75	150	XRTC4-48075150*	2	2	225	D
4	100	200	XRTC4-48100200*	3	3	225	D
5	125	250	XRTC5-48125250*	3	3	465	E
5	150	300	XRTC5-48150300*	3	3	465	E
5	200	400	XRTC5-48200400*	3	3	465	E

575 / 600 VOLT - 60 Hz - 3 Phase

NEMA SIZE	MAX H.P.	BREAKER AMPS	CATALOG NO.	CONDUIT STD. SIZE	CONDUIT MAX. SIZE	SHIPPING WT. (EST.)	ENCLOSURE SIZE
0	5	15	XRTC0-60005015*	1	1-1/2	85	A
1	7-1/2	20	XRTC1-60007020*	1	1-1/2	85	A
1	10	30	XRTC1-60010030*	1	1-1/2	85	A
2	15	40	XRTC2-60015040*	1-1/4	1-1/2	147	B
2	25	50	XRTC2-60025050*	1-1/4	1-1/2	147	B
3	30	70	XRTC3-60030070*	1-1/2	2	182	C
3	50	100	XRTC3-60050100*	1-1/2	2	182	C
4	75	125	XRTC4-60075125*	2	2	225	D
4	100	150	XRTC4-60100150*	3	3	225	D
5	150	250	XRTC5-60150250*	3	3	465	E
5	200	300	XRTC5-60200300*	3	3	465	E

1025 Eagon Street Barberton, Ohio 44203 Ph: 330-745-8891 Fax: 330-745-2504
www.AkronElectric.Com E-Mail: Sales@AkronElectric.Com



Explosion-Proof Motor Starter Series

COMBINATION FULL VOLTAGE REVERSING MOTOR STARTERS WITH MAGNETIC ONLY (MCP) CIRCUIT BREAKER

230 / 240 VOLT - 60 Hz - 3 Phase

NEMA SIZE	MAX H.P.	BREAKER AMPS	CATALOG NO.	CONDUIT STD. SIZE	CONDUIT MAX. SIZE	SHIPPING WT. (EST.)	ENCLOSURE SIZE
0	1	7	XRMC0-24001007*	1	1-1/2	85	A
0	3	15	XRMC0-24003015*	1	1-1/2	85	A
1	7-1/2	30	XRMC1-24007030*	1	1-1/2	85	A
2	15	50	XRMC2-24015050*	1-1/4	1-1/2	147	B
3	30	100	XRMC3-24030100*	1-1/2	2	182	C
4	50	150	XRMC4-24050150*	3	3	225	D
5	100	400	XRMC5-24100400*	3	3	465	E

460 / 480 VOLT - 60 Hz - 3 Phase

NEMA SIZE	MAX H.P.	BREAKER AMPS	CATALOG NO.	CONDUIT STD. SIZE	CONDUIT MAX. SIZE	SHIPPING WT. (EST.)	ENCLOSURE SIZE
0	1	3	XRMC0-48001003*	1	1-1/2	85	A
0	3	7	XRMC0-48003007*	1	1-1/2	85	A
0	5	15	XRMC0-48005015*	1	1-1/2	85	A
1	7-1/2	15	XRMC1-48007015*	1	1-1/2	85	A
1	10	30	XRMC1-48010030*	1	1-1/2	85	A
2	15	30	XRMC2-48015030*	1-1/4	1-1/2	147	B
2	25	50	XRMC2-48025050*	1-1/4	1-1/2	147	B
3	30	50	XRMC3-48030050*	1-1/2	2	182	C
3	50	100	XRMC3-48050100*	1-1/2	2	182	C
4	100	150	XRMC4-48100150*	2	2	225	D
5	200	400	XRMC5-48200400*	3	3	465	E

575 / 600 VOLT - 60 Hz - 3 Phase

NEMA SIZE	MAX H.P.	BREAKER AMPS	CATALOG NO.	CONDUIT STD. SIZE	CONDUIT MAX. SIZE	SHIPPING WT. (EST.)	ENCLOSURE SIZE
0	1	3	XRMC0-60001003*	1	1-1/2	85	A
0	3	7	XRMC0-60003007*	1	1-1/2	85	A
0	5	15	XRMC0-60005015*	1	1-1/2	85	A
1	7-1/2	15	XRMC1-60007015*	1	1-1/2	85	A
1	10	30	XRMC1-60010030*	1	1-1/2	85	A
2	20	30	XRMC2-60020030*	1-1/4	1-1/2	147	B
2	25	50	XRMC2-60025050*	1-1/4	1-1/2	147	B
3	40	50	XRMC3-60040050*	1-1/2	2	182	C
3	50	100	XRMC3-60050100*	1-1/2	2	182	C
4	60	100	XRMC4-60060100*	2	2	225	D
4	100	150	XRMC4-60100150*	3	3	225	D
5	125	400	XRMC5-60125400*	3	3	465	E
5	200	400	XRMC5-60200400*	3	3	465	E

Explosion-Proof Motor Starter Series

COMBINATION FULL VOLTAGE REVERSING MOTOR STARTERS

ENCLOSURE ONLY ORDERING INFORMATION

To Order the Enclosure **ONLY** (Without Starter):

Use the enclosure **Catalog Number** in the chart below and insert a suffix (A=ABB, C=Cutler-Hammer, C/F for others) for the Starter Mfg.

Example: Part Number = **XRMC0-A**
(Full Voltage Reversing Combination Motor Starter; Size 0; machined for ABB Starter)
ENCLOSURE ONLY with all standard features

DIMENSIONAL INFORMATION - COMBO FULL VOLTAGE REVERSING STARTERS WITH THERMAL-MAGNETIC CIRCUIT BREAKER

ENCLOSURE CAT NO.	ENCL.	INSIDE DIMS.	A	B	C	D	E	F	G	H	J	K	L	WT.
XRTC0-*	A	12 x 18 x 4	17.00	23.00	7.50	18.00	14.13	15.75	1/2	2.63	4.00	17.81	9.25	110
XRTC1-*	A	12 x 18 x 4	17.00	23.00	7.50	18.00	14.13	15.75	1/2	2.63	4.00	17.81	9.25	110
XRTC2-*	B	12 x 18 x 6	17.00	23.00	9.50	18.00	14.13	15.75	1/2	3.63	4.00	17.81	11.25	125
XRTC3-*	C	16 x 24 x 8	21.13	29.13	11.88	23.00	18.38	19.75	5/8	4.63	6.00	21.94	13.63	210
XRTC4-*	D	18 x 30 x 8	23.13	35.13	11.88	25.00	23.00	21.75	5/8	4.75	7.00	23.94	13.63	285
XRTC5-*	E	24 x 36 x 8	30.00	42.00	12.56	31.00	29.00	28.00	5/8	5.50	10.00	31.13	14.31	490

DIMENSIONAL INFORMATION - COMBO FULL VOLTAGE REVERSING STARTERS WITH MAGNETIC ONLY CIRCUIT BREAKER (MCP)

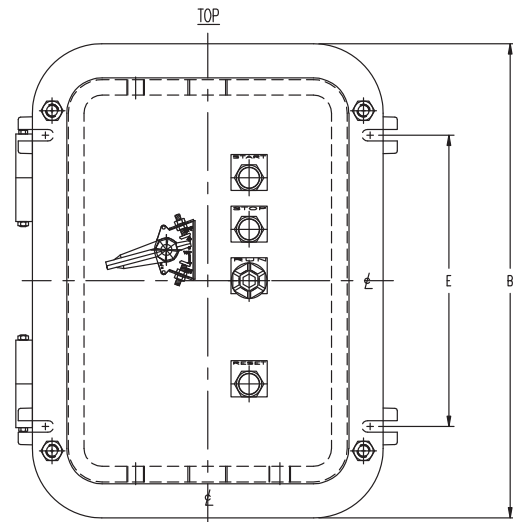
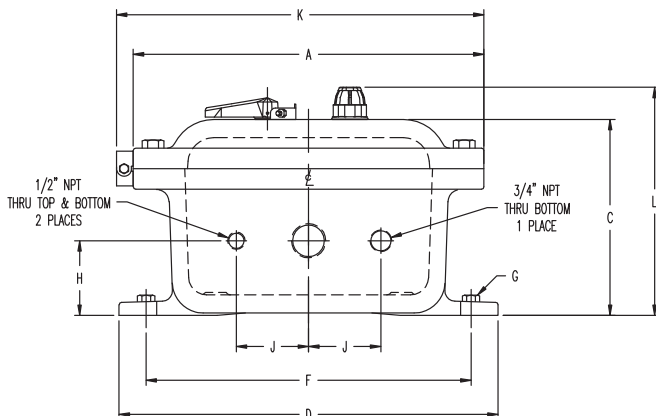
ENCL. CAT NO.	ENCL.	INSIDE DIMS.	A	B	C	D	E	F	G	H	J	K	L	WT.
XRMC0-*	A	12 x 18 x 4	17.00	23.00	7.50	18.00	14.13	15.75	1/2	2.63	4.00	17.81	9.25	110
XRMC1-*	A	12 x 18 x 4	17.00	23.00	7.50	18.00	14.13	15.75	1/2	2.63	4.00	17.81	9.25	110
XRMC2-*	B	12 x 18 x 6	17.00	23.00	9.50	18.00	14.13	15.75	1/2	3.63	4.00	17.81	11.25	125
XRMC3-*	C	16 x 24 x 8	21.13	29.13	11.88	23.00	18.38	19.75	5/8	4.63	6.00	21.94	13.63	210
XRMC4-*	D	18 x 30 x 8	23.13	35.13	11.88	25.00	23.00	21.75	5/8	4.75	7.00	23.94	13.63	285
XRMC5-*	E	24 x 36 x 8	30.00	42.00	12.56	31.00	29.00	28.00	5/8	5.50	10.00	31.13	14.31	490

The Enclosure Weight is without transformer

G: Standard Mounting Bolt Diameter

WT: Approximate Shipping Weight (lb.) without skid / pallet

Note: Alternate sizes available, consult factory



Note: See chart on previous page(s) for Std. / Max. Conduit Size



Explosion-Proof Manual Motor Starter Series



CXI* Series.....pg. 148-149
Manual Motor Starters

X
P
M
O
T
O
R
S
T

Explosion-Proof Manual Motor Starter Series

“Call Akron Electric for all of your Motor Starter needs. You can trust us to provide a great product with a lead time that challenges the entire industry.”

Features:

- All Enclosures are available with NEMA 4 O-Ring
- Suitable for surface mounting
- Light weight corrosion-resistant copper-free aluminum
- Attractive wheelabraste finish
- Durable Mounting Feet and easily accessible ground screw
- ABB & Sprecher + Schuh Starters (Optional)
(with C8 - Custom Circuit Breaker Handle)
- Mini Push Button Manual Motor Starters available with Cutler Hammer starter
- Available to use with Mini Pilot Device Series (1" center to center)

Materials:

- Enclosures: Copper-free Aluminum (less than 0.25% copper)
 - Cover Bolts: Cad-Plated or Stainless Steel (Please Specify)
 - Mounting Pan (Opt.): Aluminum, Galvanized Steel, or Phenolic Materials (Please Specify)
 - Din-Rail: Aluminum
- *Note: Aluminum Mounting Pan will be provided if mounting pan is requested, unless otherwise noted.



Certificate
Number
03.059.1

ISO
9001 With Design

Approvals:

- UL CLASSIFIED - Standard 886 - E94590
- cUL (CXI 4 Series) - Standard C22.2 No. 30-M1986 and No. 25-1966
- CSA Certified (CXI 3 Series) - Standard C22.2 No. LR64264

Compliances:

- N.E.C. - Class. I, Div. 1 & 2 Groups B*, C & D
- Class. II, Div. 1 & 2 Groups E, F & G
- Class. III
- NEMA 7 & 9 (Optional 3, 4X)

*Note - CXI484 only

Applications:

Designed for environments where explosion-proof equipment is required

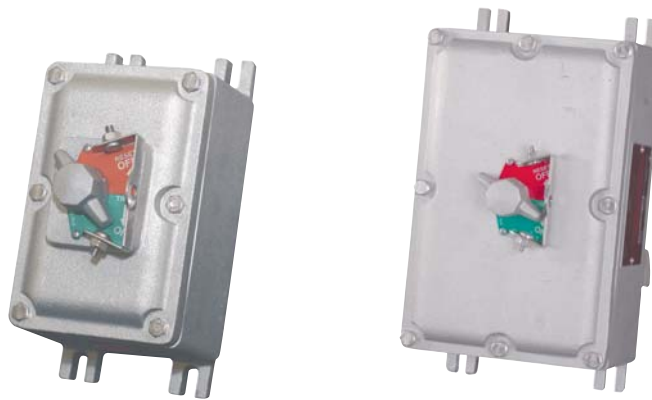
Manual Motor Starter is required / requested

When space constraints exist

X
P
M
O
T
O
R
S
T



Explosion-Proof Manual Motor Starter Series



CXI-Manual Motor Starter Dimensions

Catalog Number	Nominal Inside Dimensions			Dimensions In Inches					Est. Lbs.	Std. Conduit Size	Mtg. Bolt Size
	W	L	D	A	B	C	F	E			
CXI 363-MOD	3-1/2	6	3	7-1/16	4-9/16	4-1/2	8	3-1/4	6	3/4"	1/4"
CXI 484	4-1/4	8	4	10-29/64	6-45/64	5-5/8	11-1/2	5-1/4	19	3/4"	1/4"

** - CXI484 does not have "cast pad" on cover. This enclosure is designed for:
Cutler Hammer: p/n XTPR-B & Allen Bradley: B 140M-C2 series
Also suitable for ABB & Sprecher + Schuh starters; C/F for other manufacturers

Add the suffix "-C8" for custom c.b. handle (then "-(mfg. suffix)") for the specified mfg. of starter

Mfg. Suffixes For Motor Starter Mfg:

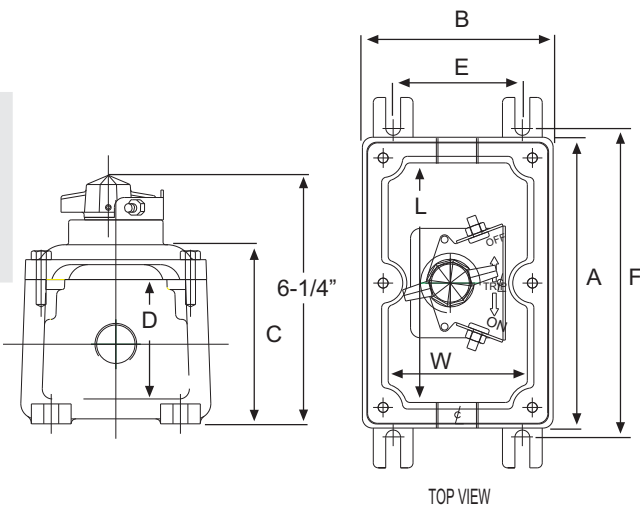
A = ABB

AB = Allen Bradley

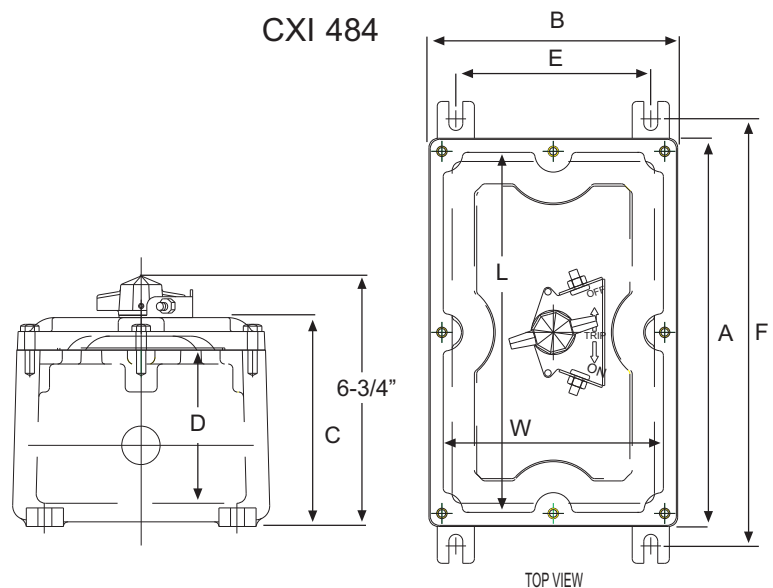
C = Cutler Hammer (To use mini push button Manual Motor Starter)

S = Sprecher + Schuh

CXI 363-MOD



CXI 484



Explosion-Proof Manual Motor Starter Series

MODIFICATIONS FOR BREAKERS, STARTERS & COMBO STARTERS

SUFFIX	OPERATION	CATALOG NUMBER	DESCRIPTION
2BD	Breather and Drain	2BD	(1) Breather & (1) Drain (Unless otherwise noted)
XPBS-FGA	Start	XPBS-FGA	Green Momentary Push Button (N.O.)
XPBS-ERB	Stop	XPBS-ERB	Red Momentary Push Button (N.C.)
XPDBS-FGERC	Start - Stop	XPDBS-FGERC	Dual Momentary Push Button (N.O. - N.C.)
XPMHS-RB	E-Stop	XPMHS-RB	Red Mushroom Momentary Push Button (N.C.)
XPPPS-2RE	E-Stop	XPPPS-2RE	Red Mushroom Maintained Push Button (N.C.L.B.)
XPBS-FBA	Blank (Specify)	XPBS-FBA	Black Momentary Push Button (N.O.)
XPBS-FBB	Blank (Specify)	XPBS-FBB	Black Momentary Push Button (N.C.)
E1		E1	Corrosion-Resistant Epoxy Paint (Outside only)
E2		E2	Corrosion-Resistant Epoxy Paint (Inside & Outside)
E3		E3	Stainless Steel (316) Captive Quick Thread cover bolts
K			Terminal Block, 600 V, 30 AMP Std. (Specify Qty.)
N1		N1	Aluminum Mounting Pan
N2		N2	Galvanized Mounting Pan
N3		N3	Phenolic Mounting Pan
N4		N4	NEMA 4 O-ring Gasket
N6		N6	Metallic Legend Plate
N7		N7	Phenolic Legend Plate
N8		N8	Custom Legend Plate (Anodized, Stainless Steel)
OL			Over-Load Relay Heaters (Set of 3). Specify FLC
XPL*B- * (Voltage) (Color)		See Pgs. 87-91	Pilot Lights : Full Voltage - Pigtail Style, Saddle Clamp, Transformer Type, Illuminated Push Button
R2		XPPMS-*	Potentiometer - Single Turn (Specify Ohms)
R3			3/4" NPSM Close-up Plug
R4			Industrial Relay
R5			Under Voltage Relay
R6			Time Delay Relay
R7			Space Heater (Includes N.C. Auxiliary Contact)
XPLSB-TT(Voltage)G		XPLSB-TT(Voltage)G	Green Stop Light (Includes N.C. Auxiliary Contact)
XP2-SSC	Off-On	XP2-SSC	2-Position Selector Switch, Maintained
XP2-RSC	Blank (Specify)	XP2-RSC	2-Position Selector Switch, Spring Returned From Left
XP2-LSC	Blank (Specify)	XP2-LSC	2-Position Selector Switch, Spring Returned From Right
XP3-SSC	Hand-Off-Auto	XP3-SSC	3-Position Selector Switch, Maintained
XP3-RSC	Blank (Specify)	XP3-RSC	3-Position Selector Switch, Spring Returned From Left
XP3-LSC	Blank (Specify)	XP3-LSC	3-Position Selector Switch, Spring Returned From Right
XP3-CSC	Blank (Specify)	XP3-CSC	3-Position Selector Switch, Spring Returned From Both
XPK2-SSLC	Blank (Specify)	XPK2-SSLC	2-Position Selector Switch, Key Operated
XPK3-SSLC	Blank (Specify)	XPK3-SSLC	3-Position Selector Switch, Key Operated
T+			C.P.T., (480/240 to 120) Including (2) Primary & (1) Secondary Fuses (NEC)
T0			50 VA Transformer
T1			75 VA Transformer
T2			100 VA Transformer
T3			150 VA Transformer
T4			200 VA Transformer
T5			250 VA Transformer
T6			300 VA Transformer
T7			500 VA Transformer
T8			750 VA Transformer
X1		2003ABB	Auxiliary Contact (N.O.)
X2		2003AAB	Auxiliary Contact (N.C.)
X3		2003ACB	Auxiliary Contact (N.O. - N.C.)
X4		2003ABB	Auxiliary Contact For Alarm (N.O.)

X
P
M
O
T
O
R
S
T